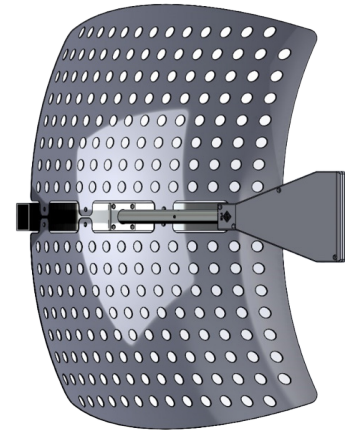


0.6m Mesh Grid Antenna Instructions

GM06

Kit Includes

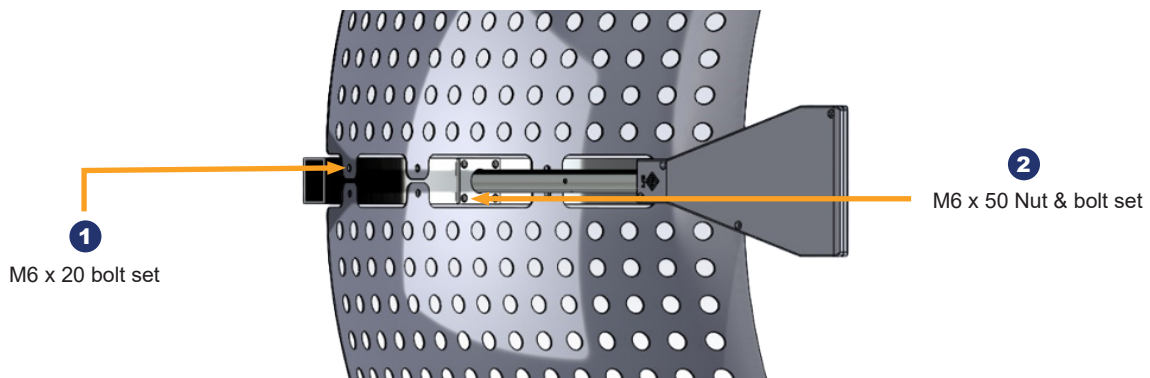
Grid reflector set:	8 x M6x20 bolts
• Rear support tube	4 x M6x50 bolts with nuts
• 2 x mesh reflector halves	12 x M6 spring washers
Antenna feed	12 x M6 flat washers



Assembly

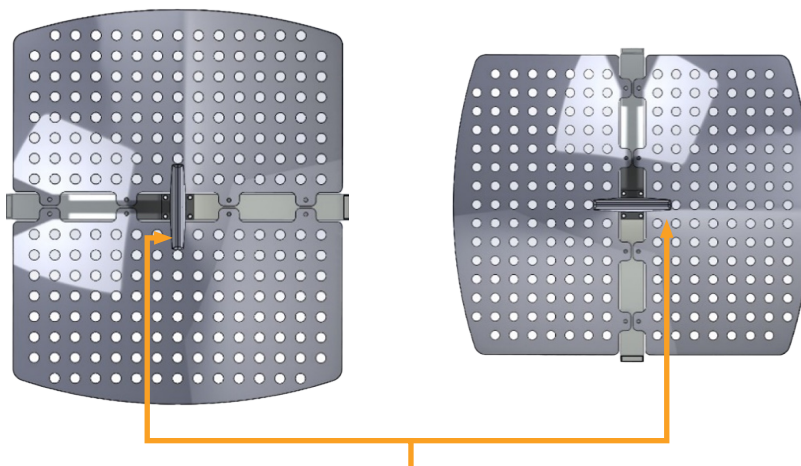
The grid arrives “flat packed”

1. Using the set of eight M6 x 20 bolts + M6 flat and spring washers, assemble the 2 mesh halves onto the rear support, and tighten (~12Nm)
2. Using the four M6 x 50mm bolts with M6 nuts and washer sets, assemble the feed through the rear support tube, as shown, and tighten (~12Nm)



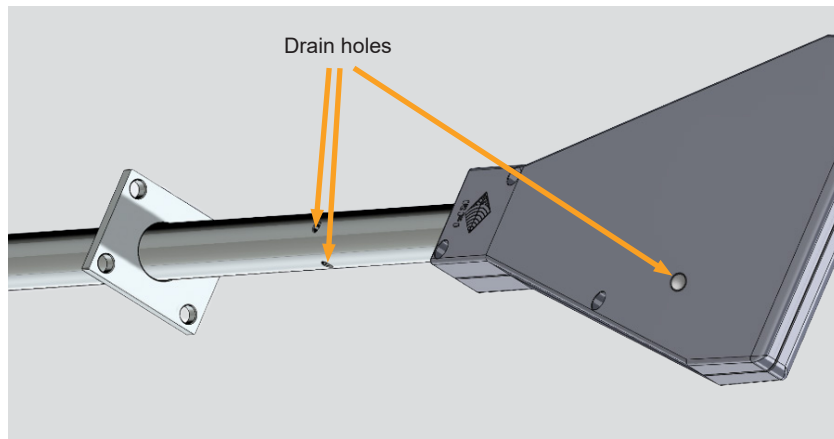
Polarisation

The GM06 can be mounted either vertically or horizontally polarised.



One drain hole located in the radome must point down.

Two drain holes are located in the feed arm, both are assembled with hole plugs; remove the drain hole plug which is pointing down.



For MIMO applications, where 2 grids are used the following is suggested:

- Mount the grids in orthogonally opposed polarisations. I.e. One mounted vertically and one mounted horizontally.
- Mount one above the other to benefit from vertical isolation.

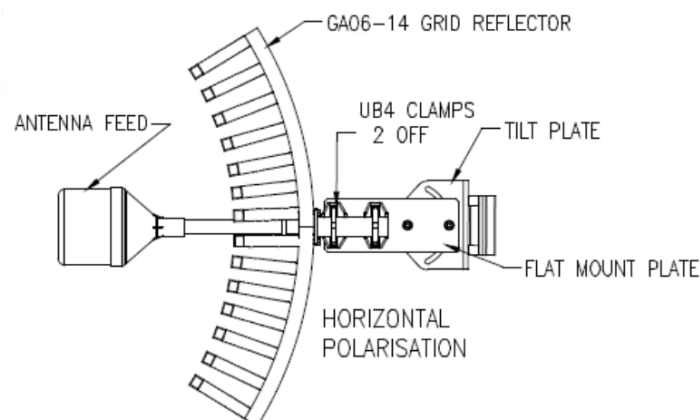
There are also 2 breather holes located in 2 separate positions, one set at the radome end and one set at the base of the launcher arm.



Tilt and pan using GA CLAMP*

To tilt, loosen the nuts on the tilt plate as shown below to tilt up or down max $\pm 45^\circ$, before then securing bolts at desired tilt.

To pan, loosen mount clamp and shift position of complete installation by required amount.



*not included - optional clamp.